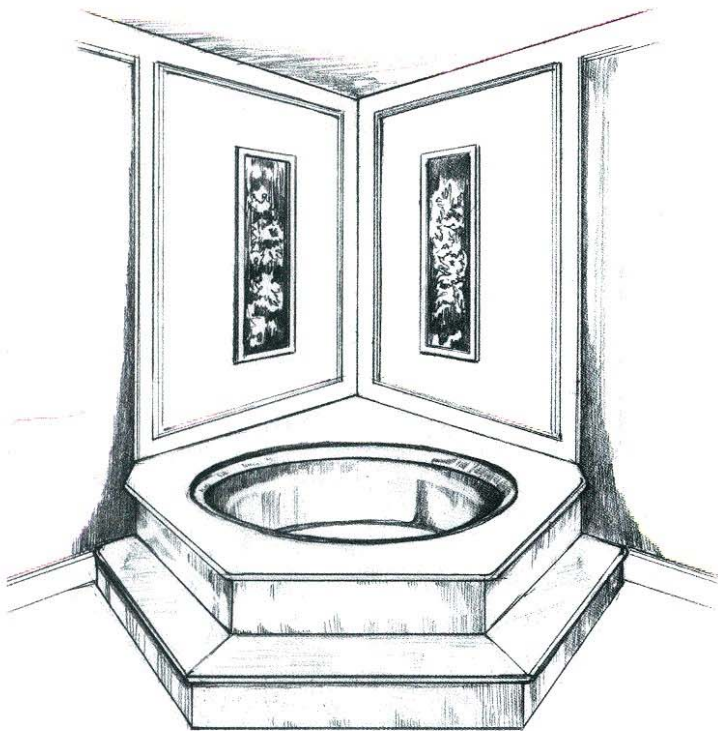


# NOVA

## CULTURED MARBLE

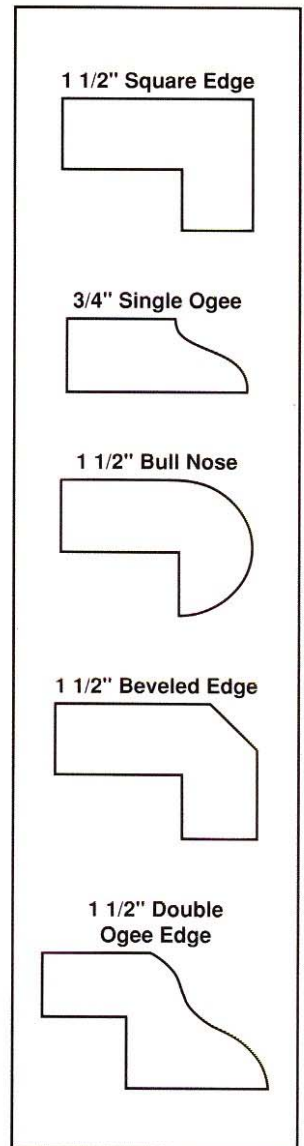
Knowledge. Integrity. Value.



305 Airport Road • Arden NC 28704  
 (828) 687-8770 • Fax: (828) 687-8773  
[www.novakitchen.com](http://www.novakitchen.com)

### Additional Designer Edges

- ◆ Five new designer edges that can be added to tops and flatwork.
- ◆ The 3/4" Single Ogee is also available on tubs. Simply reduce the standard tub dimensions 3/4" for each side with edging.
- ◆ All edges are available on flat work of all sizes and flat tops over 22" wide.
- ◆ Tops 22" to 25" in depth are available with an integral backsplash. However, some custom features are limited when using the integral backsplash.
- ◆ Price is per inch of edging used.
- ◆ Radiuses are not available when using designer edging.
- ◆ Please call for more information.



**— CUSTOMIZATION —**

At Nova Cultured Marble, customization is our specialty. Whether your design calls for angled tops, slate finish, edges, flat work or custom dimensions, we're your one stop solution.

ALL NOVA (UL CERTIFIED) PRODUCTS OFFER  
 A LIMITED 3-YEAR WARRANTY. ASK US FOR DETAILS

# Demand The Best

We at **NOVA Cultured Marble** are committed to quality; committed to high standards; committed to you, our customer. We not only produce aesthetically beautiful items, but all of our products are certified by Universal Laboratory and are tested to their stringent standards.

## DESIGN VERSATILITY ♦ LOW MAINTENANCE ♦ QUALITY ASSURANCE

Cultured Marble or Cast Polymer products are molded to form a variety of shapes that meet today's design needs. The one-piece seamless construction of Cultured Marble is easy to maintain and resistant to breakage. Cultured Marble is stronger and less brittle than quarried marble, and unlike porcelain, can be repaired if slightly chipped.

Contained in this brochure are examples of many of the fine products we can produce to meet your needs.

**Actual tub height may vary as much as + or - 1/2" from top of tub deck to floor.**

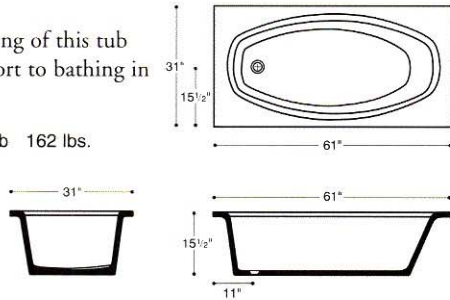
## Five Foot Tubs

### MARK 400

The contemporary styling of this tub brings contoured comfort to bathing in a 31" x 61" space.

Approximate Weight of Tub 162 lbs.  
Capacity of Tub 60 gal.

(Whirlpool package not available with Mark 400.)

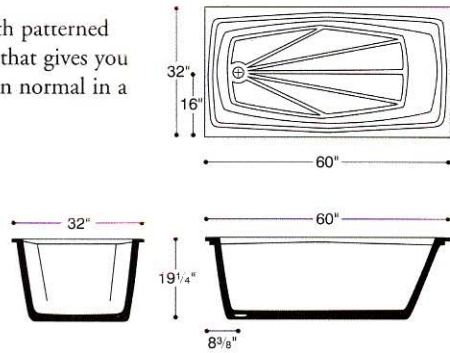


### MARK 3500

Spacious tub design with patterned floor and unique angle that gives you more bathing room than normal in a 60" tub.

Approximate Weight of Tub 170 lbs.  
Capacity of Tub 65 gal.

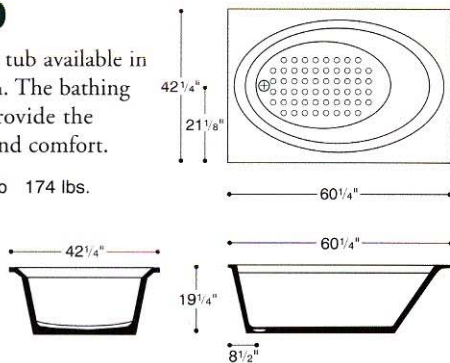
(Whirlpool package not available with Mark 3500.)



### MARK 2100

The most spacious oval tub available in a standard 60 1/4" length. The bathing area is extra wide to provide the ultimate in relaxation and comfort.

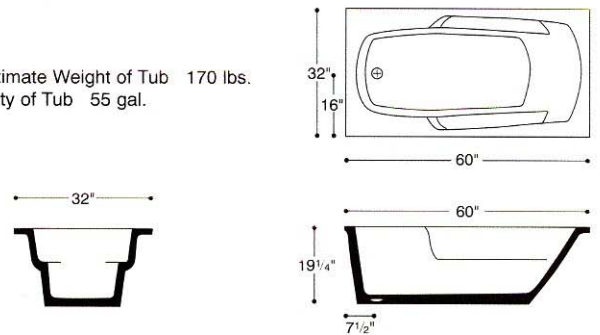
Approximate Weight of Tub 174 lbs.  
Capacity of Tub 65 gal.



### MARK 900

Incorporating an armrest design found in many of today's more expensive tubs, our 900 series gives you the look you want in a smart compact size.

Approximate Weight of Tub 170 lbs.  
Capacity of Tub 55 gal.



### WHIRLPOOL OPTIONS

Choose from 4 Jet, 6 Jet, or 8 Jet Packages  
All U.L. Listed and Tested  
Various Trim Color Options Available  
Variable Flow Control • In-Line Heater

### WALL PANELS

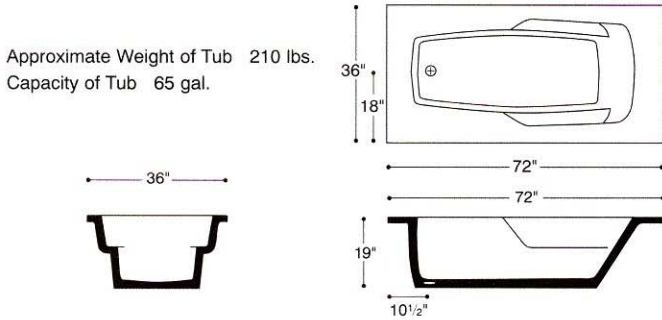
Standard Size Wall Panel Packages are available in addition to Panels up to 60" x 144". They can be cut in the field to fit your custom needs. All color-matched Marble Panels are one-piece construction, making cleanup easy.

Large Color selections are available to match almost any decor.  
Fiberglass water barrier available.

# Six Foot Tubs

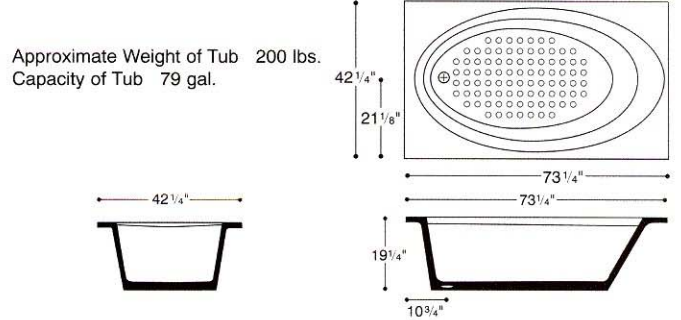
## MARK 800

At 36" x 72", the MARK 800 gives you body contoured design with built in armrests for added style and comfort.



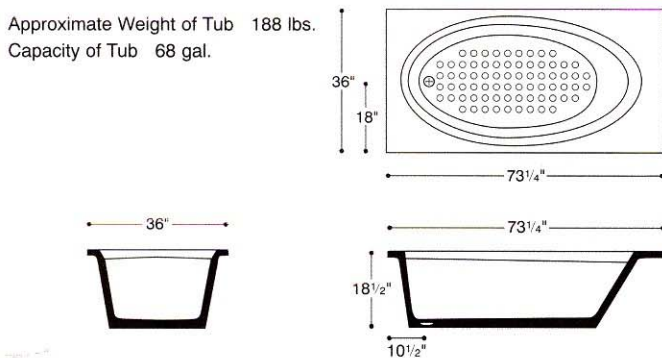
## MARK 1700

The MARK 1700 is somewhat larger than our 2200 series. The extra width affords you more capacity for your bathing enjoyment.



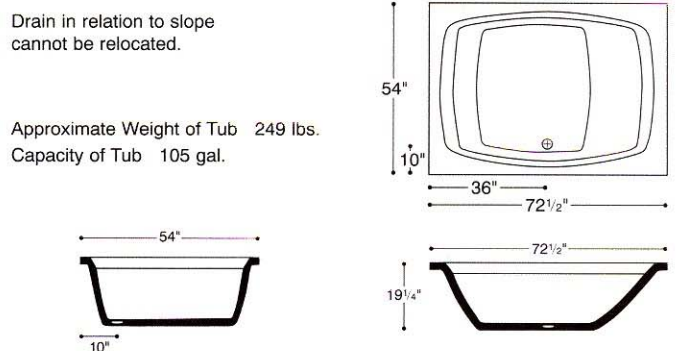
## MARK 2200

The very popular oval design in a 36" x 73 1/4" configuration. A clean classic look ideally suited for today's bathroom.



## MARK 1300

This beautiful large tub incorporates such popular design features as: a broad rectangular shape, a gracefully flared edge, and a different angle of slope at each end, one for sitting, and one for reclining.



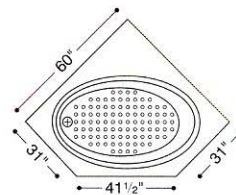
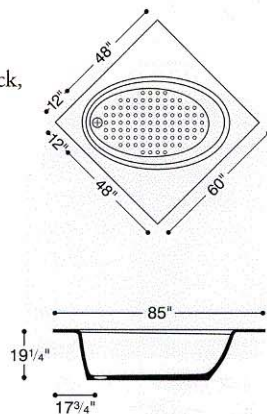
# Corner Tub Designs

## MARK 2800

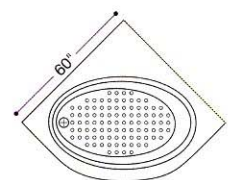
This ever popular oval tub design has been incorporated into a 60" square deck, making it ideal for corner installations.

Approximate Weight of Tub 220 lbs.  
Capacity of Tub 79 gal.

The flexibility of the MARK 2800 allows you to explore all design possibilities.



**MARK 2800**  
Squared Front Design  
Various applications,  
two standard  
step designs available.



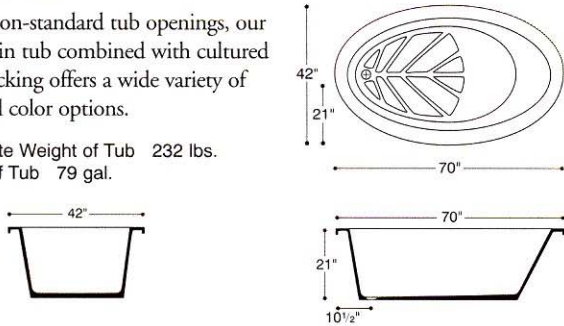
**MARK 2800**  
Curved Front Design  
Soft rounded front angle,  
two standard curved  
step designs available.

# Oval Drop-In

## MARK 2900

Ideal for non-standard tub openings, our oval drop-in tub combined with cultured marble decking offers a wide variety of design and color options.

Approximate Weight of Tub 232 lbs.  
Capacity of Tub 79 gal.

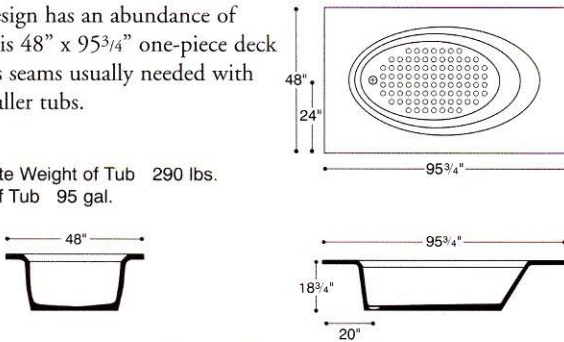


# Large Deck

## MARK 1500

If your design has an abundance of length, this 48" x 95 3/4" one-piece deck eliminates seams usually needed with many smaller tubs.

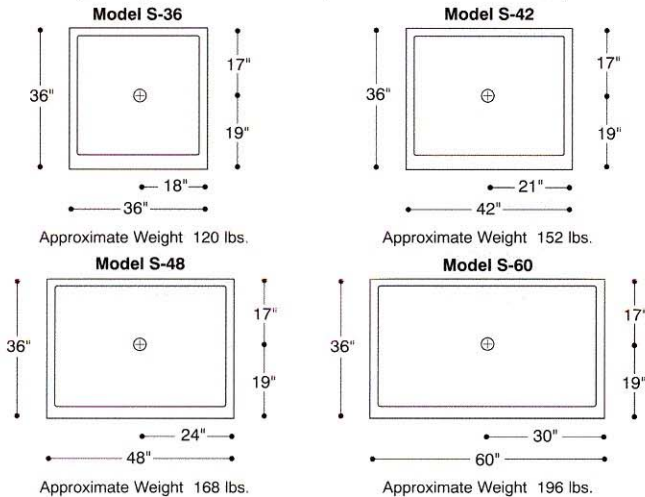
Approximate Weight of Tub 290 lbs.  
Capacity of Tub 95 gal.



# Standard Shower Bases

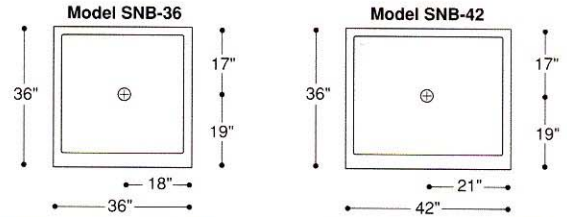
*With Integral Water Barrier*

Our standard bases range from 36" to 60" in width, with all base depths being 36". All bases come with a textured, non-slip surface which is sloped toward the drain for maximum drainage. When matched with cultured marble wall panels, you can achieve an upscale look at an affordable price.



# SOLID CURB SHOWER PANS

The benefit of using either of these two models is the ability to finish all four sides of the base.



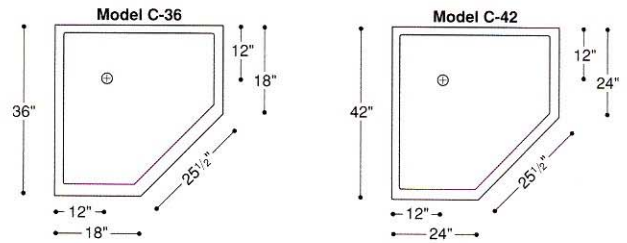
Approximate Weight + or - 170 lbs.

Approximate Weight + or - 202 lbs.

These bases don't offer an integral water barrier, but a custom fiberglass barrier is available.

# CORNER/NEO-ANGLE BASES

Offered in 36" and 42" sizes, the neo-angle design is growing in popularity. The open-angled textured bases are perfectly suited for corner applications. Includes an integral water barrier.



Approximate Weight 120 lbs.

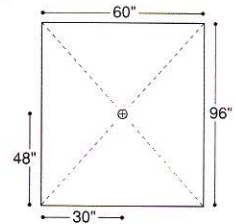
Approximate Weight 152 lbs.

# CUSTOM SHOWER BASE

This universal textured base offers a variety of design possibilities. Starting at a maximum 60" x 96", we can custom build your shower to almost any dimension, at an affordable price.

Drain location can be altered with some limitations. Universal Curb sold separately. Universal shower base requires Fiberglass Water Barrier.

Weight will vary with shower base size.



**SHOWER ACCESSORIES**

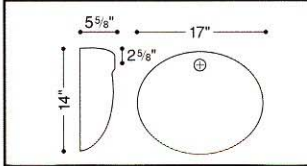
Standard and Custom Size Wall Panels  
Custom Moldings and Trim Pieces  
Soap Holder, Soap and Shampoo Holder  
Molded Cultured Marble Shower Seats  
Corner Shelves, Towel Bars, Etc.

# Vanity Bowl Designs & Specifications

Pictured below are our standard vanity bowl designs. These bowls when integrated into a one-piece cultured marble top offer you the look and ease of cleaning that consumers are demanding today. Pick your style and color combination at your local **NOVA Cultured Marble Showroom**. All recessed bowls and Drop-In designs require a minimum of 12 1/2" from finished edge to center of drain.

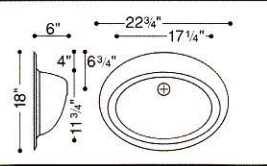
## Ovation

Size of Vanity Top: 22 in. deep  
Size of Cabinet: 21 in. deep  
Capacity of Bowl: 2.5 gal.



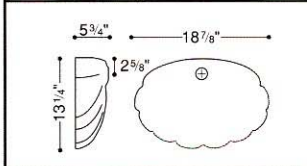
## Recessed Ovation

Size of Vanity Top: 22 in. deep  
Size of Cabinet: 21 in. deep  
Capacity of Bowl: 2 gal.



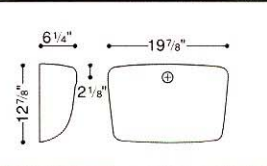
## Sculptura

Size of Vanity Top: 22 in. deep  
Size of Cabinet: 21 in. deep  
Capacity of Bowl: 4 gal.



## Regency

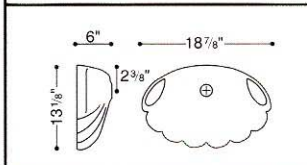
Size of Vanity Top: 22 in. deep  
Size of Cabinet: 21 in. deep  
Capacity of Bowl: 3 gal.



\*On a custom top, the Sculptura bowl 13 1/4" dimension could be as much as 14".

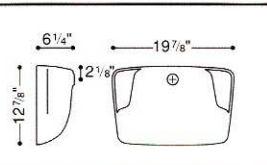
## Sculptura/Soap

Size of Vanity Top: 22 in. deep  
Size of Cabinet: 21 in. deep  
Capacity of Bowl: 2.25 gal.



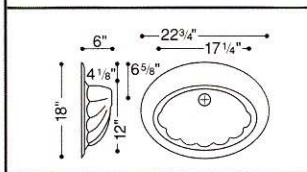
## Regency/Soap

Size of Vanity Top: 22 in. deep  
Size of Cabinet: 21 in. deep  
Capacity of Bowl: 2.5 gal.



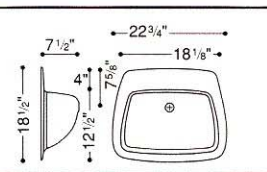
## Recessed Sculptura

Size of Vanity Top: 22 in. deep  
Size of Cabinet: 21 in. deep  
Capacity of Bowl: 2 gal.



## Recessed Regency

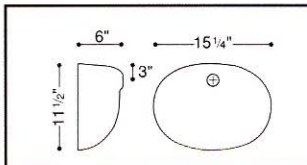
Size of Vanity Top: 22 in. deep  
Size of Cabinet: 21 in. deep  
Capacity of Bowl: 1.5 gal.



## Petite ♦ Mini ♦ Bar Sink

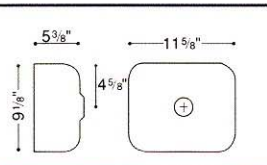
### Petite Ovation

Size of Vanity Top: 19 in. deep  
Size of Cabinet: 18 in. deep  
Capacity of Bowl: 1.75 gal.



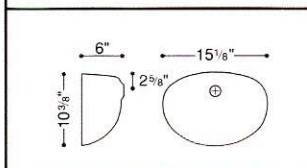
### Atlantis (Bar Sink)

Size of Vanity Top: 22 to 25 in. deep  
Size of Cabinet: 21 to 24 in. deep  
Capacity of Bowl: 1.75 gal.



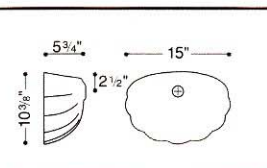
### Mini-Oval

Size of Vanity Top: 17 in. deep  
Size of Cabinet: 16 in. deep  
Capacity of Bowl: 1.75 gal.



### Mini-Shell

Size of Vanity Top: 17 in. deep  
Size of Cabinet: 16 in. deep  
Capacity of Bowl: 1.5 gal.

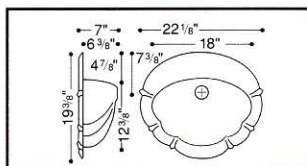


## Drop-In Designs

### \*Fleur-De-Lis

Size of Vanity Top: 22 in. deep  
Size of Cabinet: 21 in. deep  
Capacity of Bowl: 3 gal.

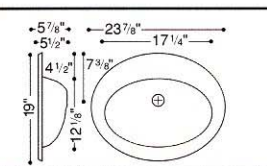
\*Drop-In Bowl (top must be ordered separately).



### \*Oval Drop-In

Size of Vanity Top: 22 in. deep  
Size of Cabinet: 21 in. deep  
Capacity of Bowl: 2.5 gal.

\*Drop-In Bowl (top must be ordered separately).



**Custom Cultured Marble tops** (unusual dimensions) are our specialty – if you can draw it we can probably build a mold to form your top.

**When ordering**, specify flat deck or no drip edge treatment. Optional designer edges available. Remember end splashes, and 4", 8" or single faucet centers.

**Bowl dimension disclaimer:** Due to the fact that molds ordered at different times from our supplier are never exactly the same, dimensions may vary as much as + or - 1/2". This is beyond our control and in no way classifies as a defect.